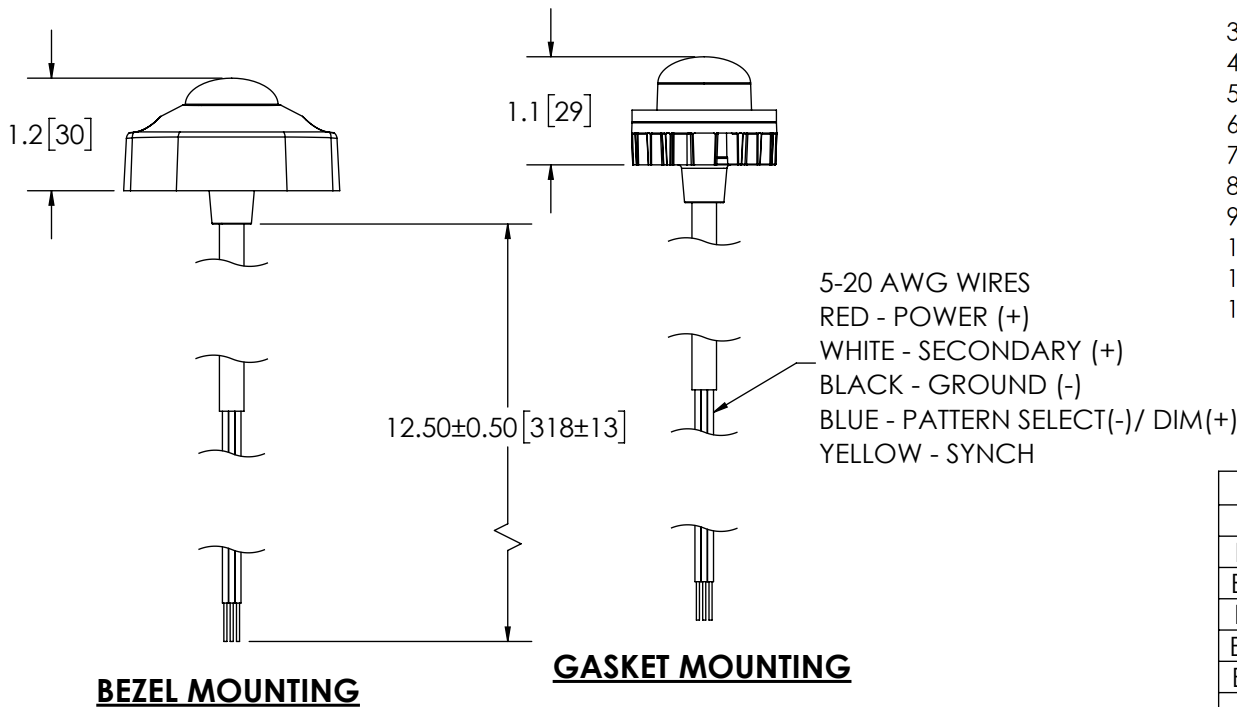
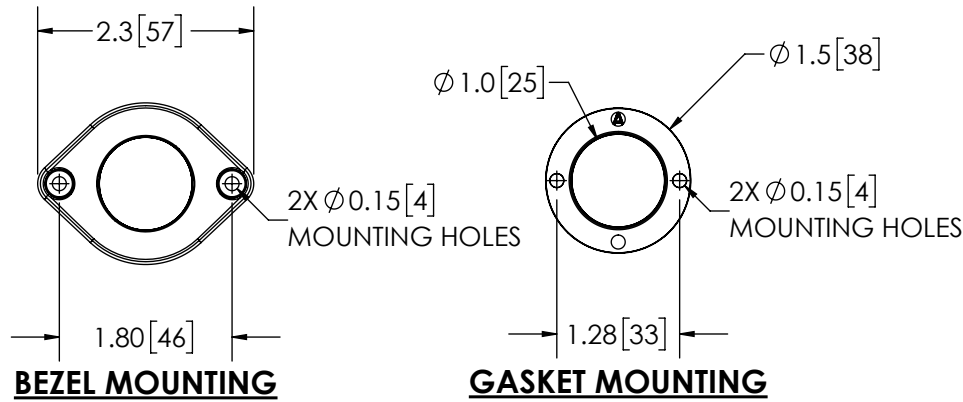


REVISION HISTORY		
REV.	DESCRIPTION	DATE
03	REVISED PER EP0154	2022-01-10
A	INITIAL RELEASE PER EP0154	2022-01-11
B	REVISED PER EP0154	2022-04-12

## SPECIFICATIONS

- CERTIFICATIONS: ECE R10; SAE J595 (AUG 2021) CLASS 2M; AMBER, CLASS 3M; BLUE, RED, WHITE; IP67  
 Note: Unique components, accessories, and hardware kits are not typically included in the Product Certification Test Protocols. Unless otherwise Specified, the Product Certifications referred to herein are predicated upon the base product model configuration.
- FLASH MODE: SINGLE : 75 ± 5 FLASHES PER MINUTE  
 SINGLE : 375 ± 5 FLASHES PER MINUTE  
 DOUBLE : 75 ± 5 FLASHES PER MINUTE
- VOLTAGE (NOMINAL): 12-24 VDC
- VOLTAGE (EXTREME): 9.0-32 VDC
- CURRENT (PEAK): SEE CHART (@ 12 VDC NOMINAL)
- POWER (MAXIMUM): SEE CHART (@ 12 VDC NOMINAL)
- TEMPERATURE RANGE: -40°F (-40°C) TO 149°F (65°C)
- CONNECTION: 5 - 20 AWG CABLE
- MOUNTING: 2 BOLT
- BASE MATERIAL: ALUMINUM
- LENS MATERIAL: POLYCARBONATE
- PRODUCT WEIGHT: 0.11 LBS (0.05 Kg)


FGS. PRODUCT CHART			
FGS. NO.	COLOR	CURRENT (PEAK) A	POWER (MAX) W
ED9015AB	AMB/BLU	0.36	4.6
ED9015AG	AMB/GRN	0.46	5.8
ED9015AR	AMB/RED	0.33	4.2
ED9015AW	AMB/WHT	0.34	4.4
ED9015BW	BLU/WHT	0.34	4.4
ED9015RB	RED/BLU	0.34	4.4
ED9015RW	RED/WHT	0.35	4.5



- NOTES:
- ROHS COMPLIANT
  - DIMENSIONS IN INCHES[MILLIMETERS (FOR REFERENCE)]

PROPRIETARY AND CONFIDENTIAL INFORMATION

THIS DRAWING AND THE DESIGN AND OTHER INFORMATION DISCLOSED HEREIN ARE THE PROPERTY OF ELECTRONIC CONTROLS COMPANY AND/OR ITS ECCO SAFETY GROUP AFFILIATES ("ECCO") AND IS ISSUED IN CONFIDENCE TO RECIPIENT FOR ENGINEERING INFORMATION PURPOSES ONLY. THIS DRAWING AND THE DESIGN AND OTHER INFORMATION DISCLOSED HEREIN MAY NOT BE USED, COPIED, REPRODUCED OR OTHERWISE DISCLOSED IN PART OR IN WHOLE TO THIRD PARTIES OR USED FOR ANY OTHER PURPOSE WITHOUT PRIOR ECCO WRITTEN CONSENT. ECCO RESERVES ALL PATENT, COPYRIGHT, TRADEMARK AND OTHER PROPRIETARY RIGHTS TO THIS DOCUMENT, INCLUDING ALL DESIGN, MANUFACTURING, REPRODUCTION, USE AND SALES RIGHTS THERETO. THIS DRAWING IS SUBJECT TO RECALL BY ECCO AT ANY TIME, AND YOUR POSSESSION AND/OR USE CONSTITUTES ACCEPTANCE OF THESE TERMS. ©2021 ELECTRONIC CONTROLS COMPANY

SCALE 1:2		APPROVALS	DATE
CAD GENERATED DRAWING DO NOT MANUALLY UPDATE.		DRAWN BY ABD	2022-02-25
TOLERANCES ARE IN INCHES, AND MILLIMETERS TOLERANCES UNLESS OTHERWISE STATED ARE:		CHECKED JW	2022-02-28
MILLIMETERS DECIMALS XX. ± 1.0mm XX.X ± 0.5mm	INCHES DECIMALS X.X ± 0.1 X.XX ± 0.04 X.XXX ± 0.02	MECH. ENG.	
THIRD ANGLE PROJECTION		ELEC. ENG.	
		TEST ENG.	
		SALES	
 <b>ECCO</b> ® www.eccolink.com Americas (800) 635-5900   Europe +44 (0)113 237 5340   Asia Pacific +61 (0)3 63322444			
<b>LED FLASHER, HAL, 12-24, DUAL COLOR</b> CUSTOMER PART NO. <b>SEE CHART</b>			
SIZE: A	DWG. NO. ED9015XX	REV. B	
Electronically Controlled Use Latest Copy		SHEET 1 OF 1	Project: EP0154 Date Created: 2021-12-10